

Figure 3-1, Cyclotron Facility – Building 140 Basement

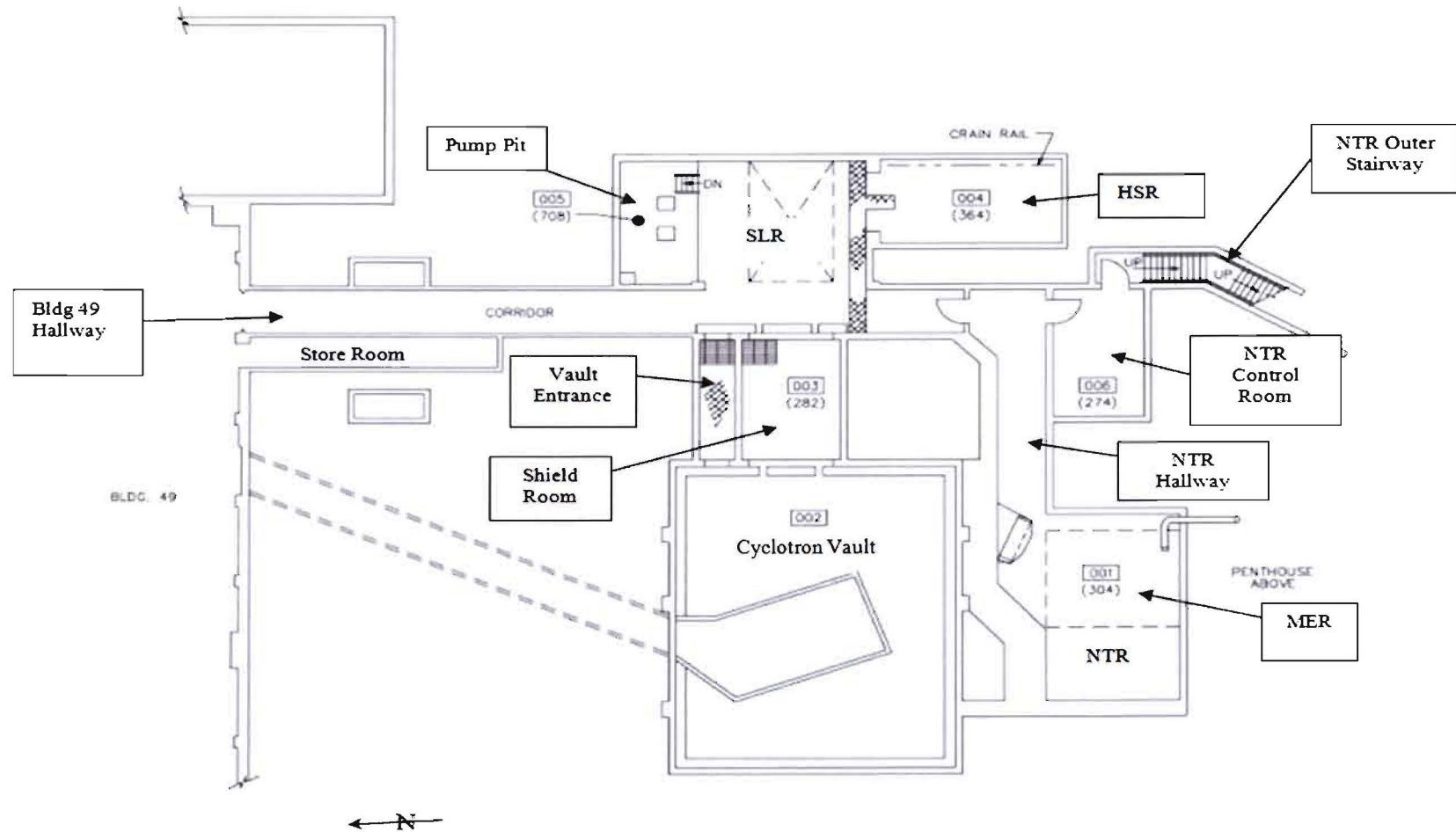


Figure 3-1 Notes:

1. Room numbers are depicted by the numbers (e.g., 002) inside the small rectangles.
2. NTR = Neutron Therapy Room, SLR = Skylight Room, MER = Mechanical Equipment Room, HSR = Hot Storage Room

Figure 3-2, Cyclotron Facility (Building 140) Magnet House & Above Grade Property

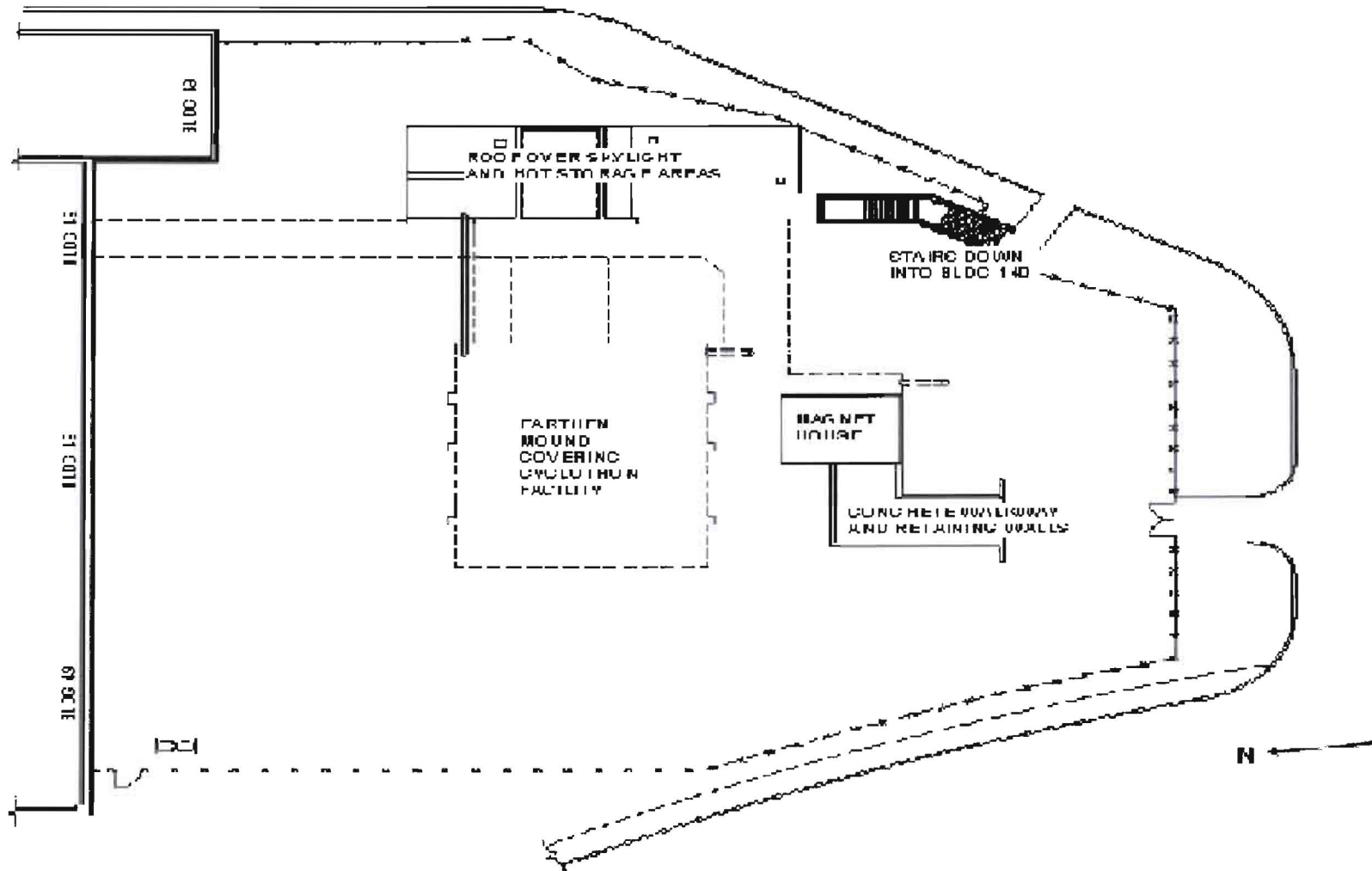
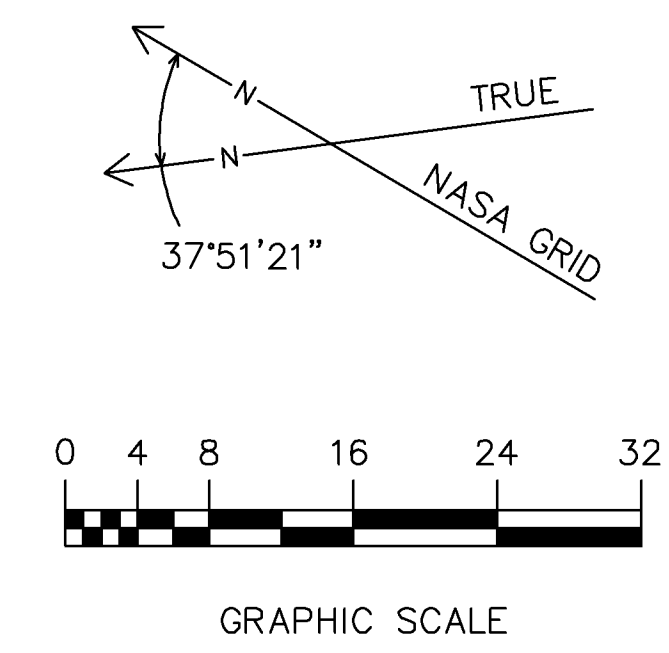
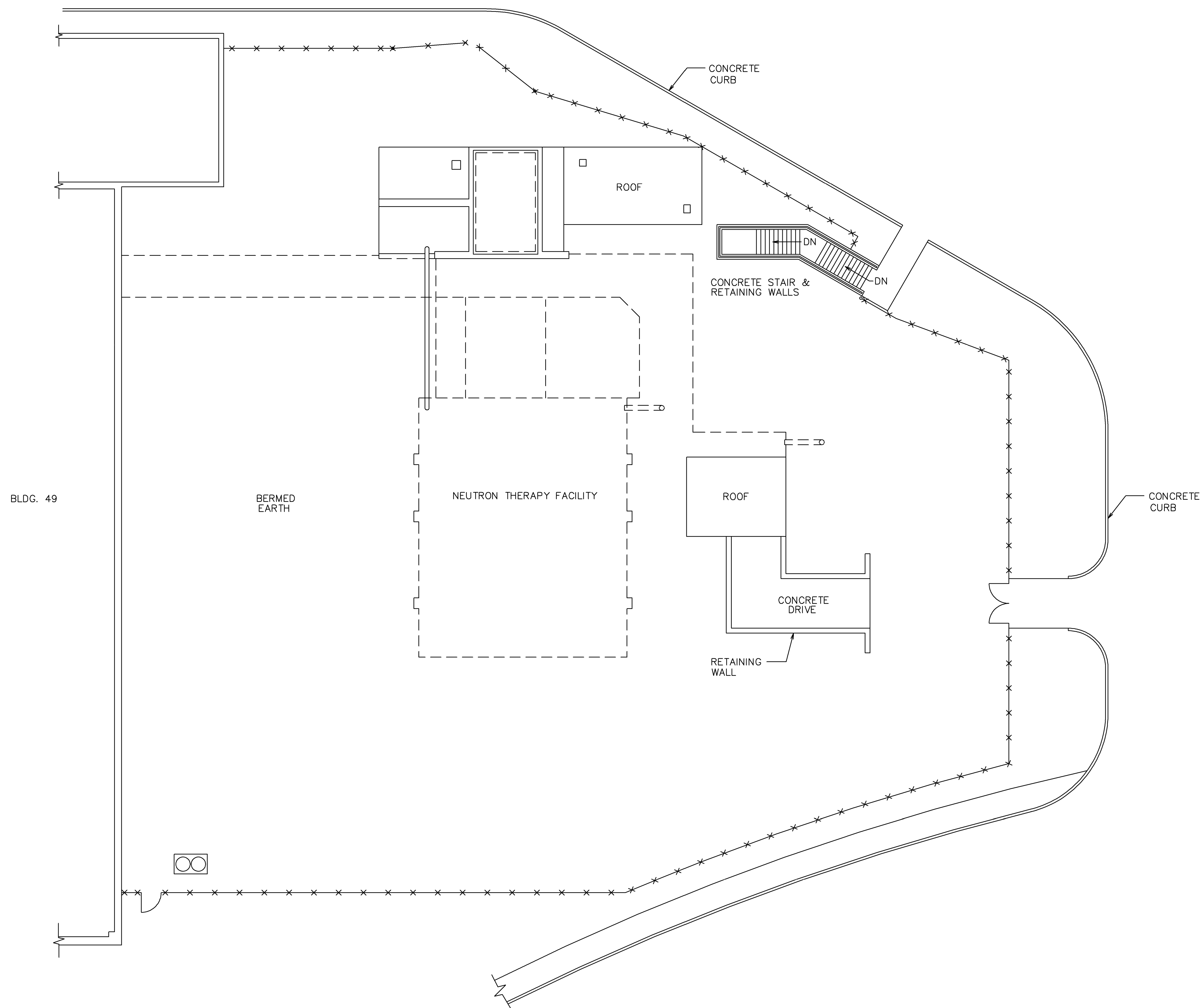


Figure 3-3, Basement of the Materials and Structures Building (Building 49)



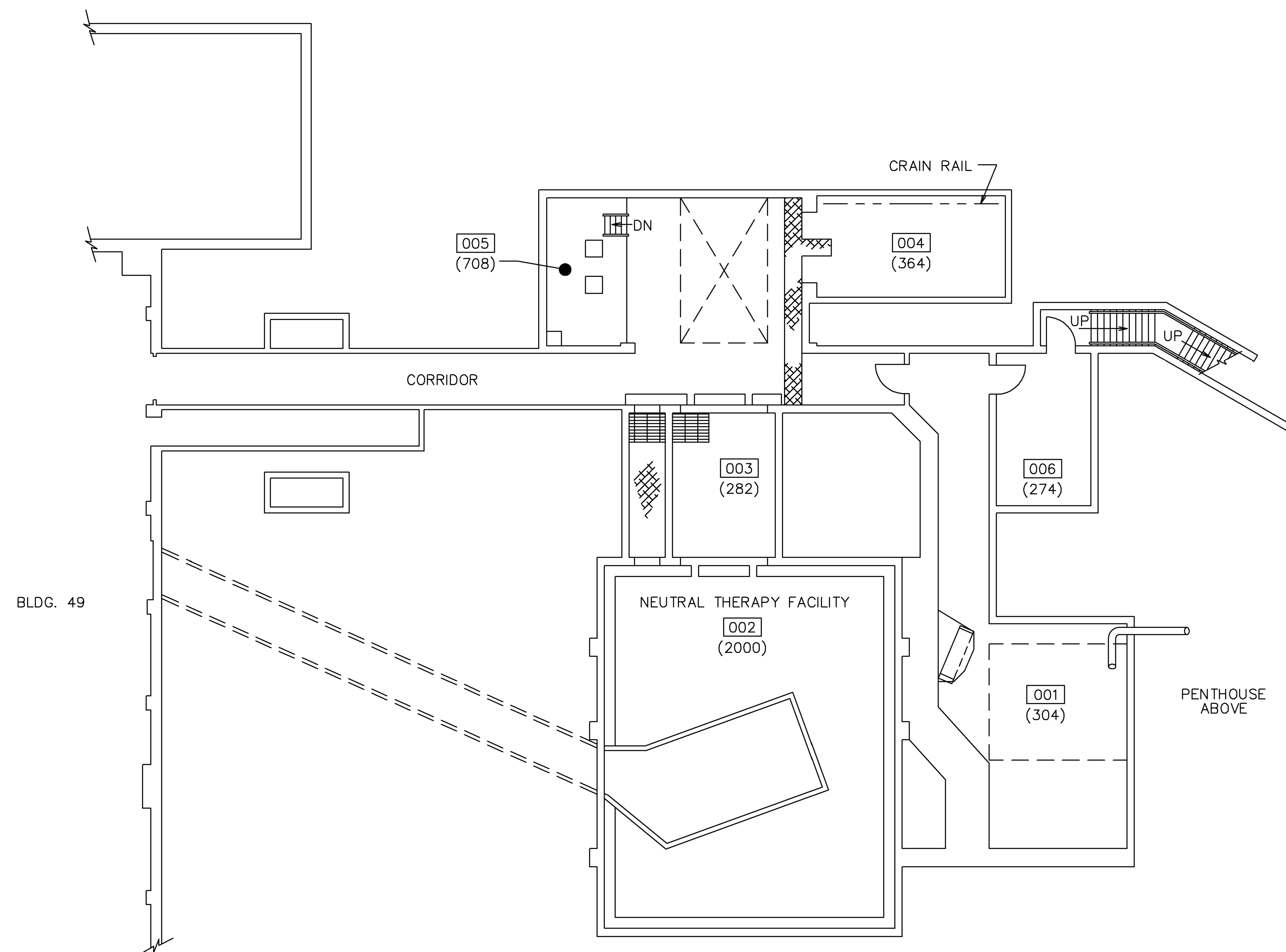


MATERIALS AND STRUCTURES AUXILIARY BUILDING
 BUILDING 140
 PARTIAL SITE PLAN
 REF. DWG NO. CD-103221, CF-121851 & CE-103217



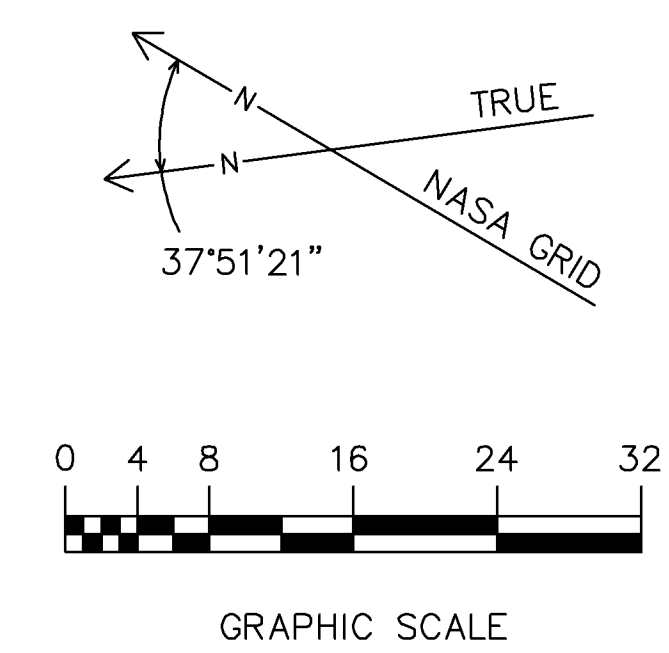
AUTOCAD DRAWING DO NOT REVISE MANUALLY		CHG	ZONE	DESCRIPTION	APP/DATE
REVISIONS					
 FTED Facilities and Test Engineering Division GLENN RESEARCH CENTER					
 NATIONAL AERONAUTICS AND SPACE ADMINISTRATION JOHN H. GLENN RESEARCH CENTER LEWIS FIELD CLEVELAND, OHIO					
MATERIALS AND STRUCTURES AUXILIARY BUILDING BUILDING 140					
SITE PLAN					
SIZE	DRAWING NUMBER	REV	BLDG	AREA	
CF	129872	-	140		
SCALE	OFFICIAL DATE	SHEET	UNITS	DISCIPLINE	
3/32" = 1'-0"	04/04/2002	1 OF 1	ENGLISH	ARCHITECTURAL	

G
 F
 E
 D
 C
 B
 A
 REV
 DRAWING NUMBER
 129872
 SIZE
 CF



MATERIALS AND STRUCTURES AUXILIARY BUILDING
 BUILDING 140
 BASEMENT PLAN

REF. DWG NO. CD-103221, CF-121851 & CE-103217



AUTOCAD DRAWING
 DO NOT REVISE MANUALLY

GLENN RESEARCH CENTER		
DR.	DES.	D. ENG.
PROJ. MGR.	F. BR. CH.	F. DIV. CH.
FAC/SYS MGR.	E. BR. CH.	E. DIV. CH.
R. ENG.	R. BR. CH.	R. DIV. CH.

CHG	ZONE	DESCRIPTION	APP/DATE
REVISIONS			
NATIONAL AERONAUTICS AND SPACE ADMINISTRATION JOHN H. GLENN RESEARCH CENTER LEWIS FIELD CLEVELAND, OHIO			
MATERIALS AND STRUCTURES AUXILIARY BUILDING BUILDING 140			
BASEMENT PLAN			
SIZE	DRAWING NUMBER	REV	BLDG AREA
CF	129871	-	140
SCALE	OFFICIAL DATE	SHEET	DISCIPLINE
3/32" = 1'-0"	04/04/2002	1 OF 1	ARCHITECTURAL

4

3

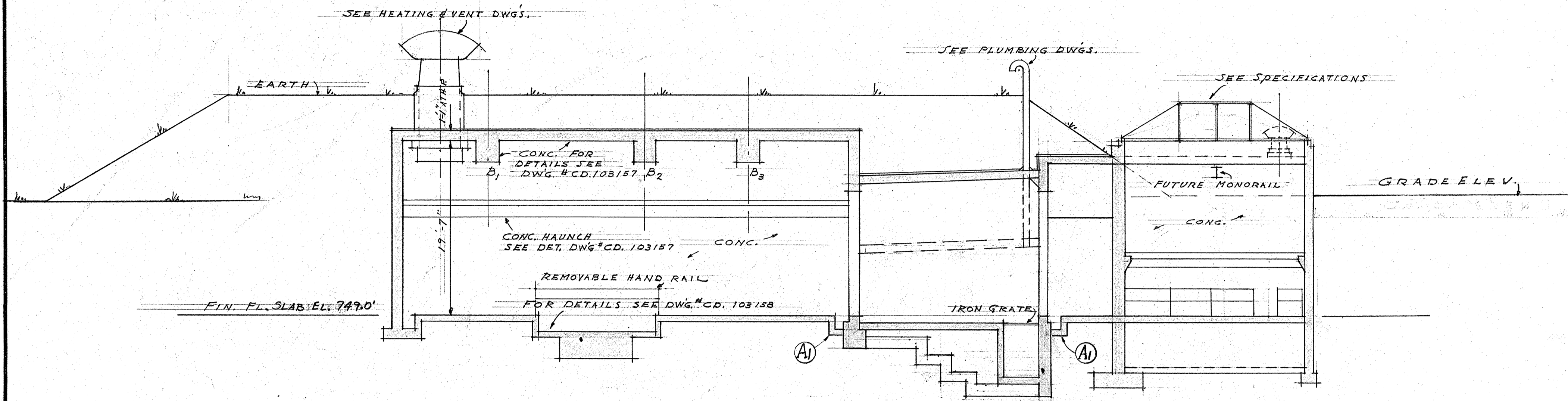
2

1

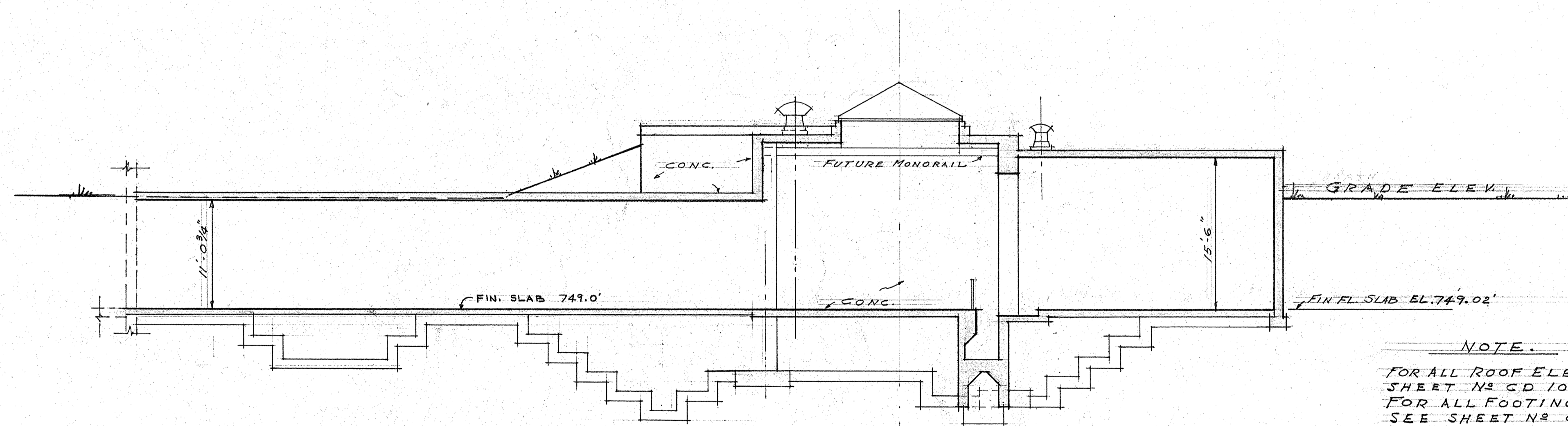
AUTOCAD R2002

G
 F
 E
 D
 C
 B
 A
 REV
 1
 DRAWING NUMBER
 129871
 SIZE
 CF

GENERAL NOTES

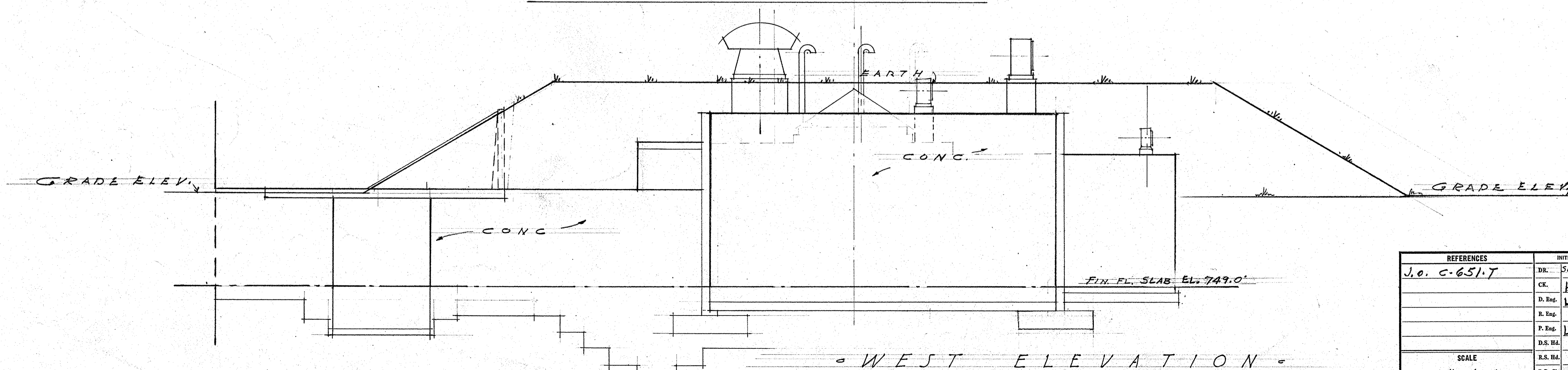


SECTION A-A



SECTION B-B

NOTE.
FOR ALL ROOF ELEVATIONS SEE SHEET N^o CD 103153
FOR ALL FOOTING ELEVATIONS SEE SHEET N^o CD 103151



WEST ELEVATION

REFERENCES	INITIAL	DATE	CHANGE NO.	REVISION	DATE	CR.-APP.
J.O. C-651.T	DR. SCHWARTZ	5-10-48				
	CR. HSK	5-17-48				
	D. Eng. LWR	5-18-48				
	R. Eng. LWR	5-17-48				
	F. Eng. LWR	5-17-48				
	D.S. H4					
	D.D. CL. 1346	5-17-48				
	R.D. CL. R.W.	5-17-48				

1	TRENCH ADDED (DRAINAGE)	AW	12/7/50	M
---	-------------------------	----	---------	---

DRAWING TITLE: MATERIAL & STRESSES BUILDING SOUTH WING ADDITION

SECTION

NATIONAL ADVISORY COMMITTEE FOR AERONAUTICS
FLIGHT PROPULSION RESEARCH LABORATORY
CLEVELAND, OHIO

DWG. NO. CD 103156